



RoHS Compliant

Features

- Switching capacity up to 30A
- Small size and light weight
- Dual relay available
- Suitable for automobile and lamp accessories
- QS-9000, ISO-9002 Certified Manufacturing

Contact Data

Contact Arrangement	1C = SPDT 1U = SPST N.O. 2C = (2) SPDT 2U = (2) SPST N.O.
Contact Rating	20A @ 14VDC

Contact Resistance	< 50 milliohms initial
Contact Material	AgSnO ₂
Maximum Switching Power	150W
Maximum Switching Voltage	20VDC
Maximum Switching Current	30A

Coil Data

Coil Voltage VDC		Coil Resistance Ω +/- 10%	Pick Up Voltage VDC (max) 70% of rated voltage	Release Voltage VDC (min) 10% of rated voltage	Coil Power W	Operate Time ms	Release Time ms
Rated	Max						
12	15.6	210	8.40	1.2	.70	10	7

General Data

Electrical Life @ rated load	100K cycles, typical
Mechanical Life	10M cycles, typical
Insulation Resistance	100M Ω min. @ 500VDC
Dielectric Strength, Coil to Contact	500V rms min. @ sea level
Contact to Contact	500V rms min. @ sea level
Shock Resistance	100m/s ² for 11 ms
Vibration Resistance	1.27mm double amplitude 10~40Hz
Terminal (Copper Alloy) Strength	10N (quick connect), 4N (PCB pins)
Operating Temperature	-40°C to +85°C
Storage Temperature	-40°C to +155°C
Solderability	260°C for 5 s
Weight	5.5g, 11g

Caution

1. The use of any coil voltage less than the rated coil voltage may compromise the operation of the relay.

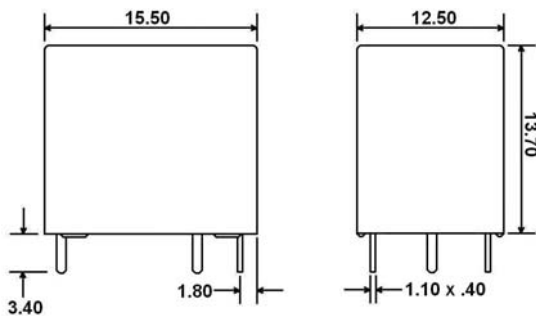
A15

Ordering Information

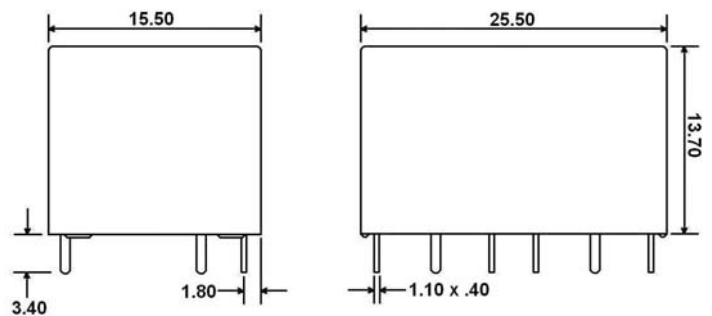
1. Series	A15	1C	S	12VDC
2. Contact Arrangement	1C = SPDT 1U = SPST N.O. 2C = DPDT 2U = DPST N.O.			
3. Sealing Option	S = Sealed C = Dust Cover			
4. Coil Voltage	12VDC			

Dimensions

Units = mm



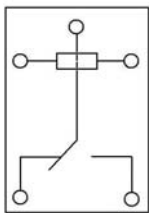
Single Package



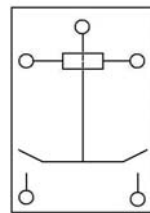
Dual Package

Schematics & PC Layouts

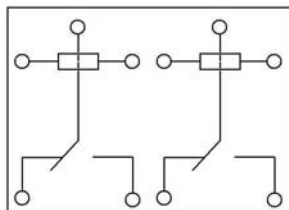
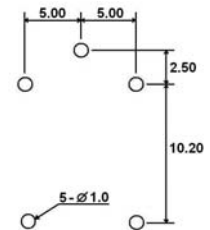
Bottom Views



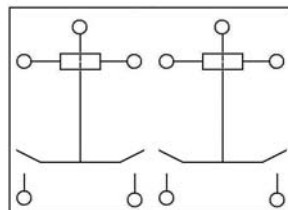
1C



1U



2C



2U

